

WP26-12NE 12Volt 26Ah

Specifications

Nominal Voltage(V) **12V**

Nominal Capacity

20 hour rate	(1.3A	to	10.50V)	26Ah
10 hour rate	(2.47A	to	10.50V)	24.7Ah
5 hour rate	(4.42A	to	10.20V)	22.1Ah
1 C	(26A	to	9.60V)	14.73Ah
3 C	(78A	to	9.60V)	10.4Ah

Weight **Approx. 9.30kg(20.46Lbs.)**

Internal Resistance (at 1KHz) **Approx. 11 mΩ**

Maximum Discharge Current for

5 seconds: **390A**

Charging Methods at 25 (77)

Cycle use:

Charging Voltage **14.4 to 15.0V**

Coefficient -5.0mV/ /cell

Maximum Charging Current : **7.8A**

Standby use:

Float Charging Voltage **13.5 to 13.8V**

Coefficient -3.0mV/ /cell

Operating Temperature Range

Charge **-15 (5) to 40 (104)**

Discharge **-15 (5) to 50 (122)**

Storage **-15 (5) to 40 (104)**

Charge Retention (shelf life) at 20 (68)

1 month **92%**

3 month **90%**

6 month **80%**

Case Material **ABS**

(Option: UL94 HB & UL94 V-0 flame retardant)

Terminal **F6**

Description of torque value of hard ware for the terminals:

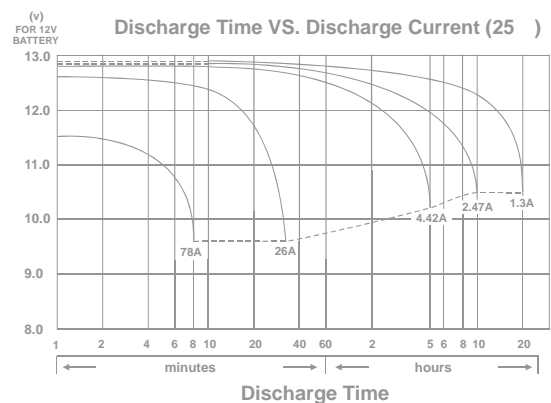
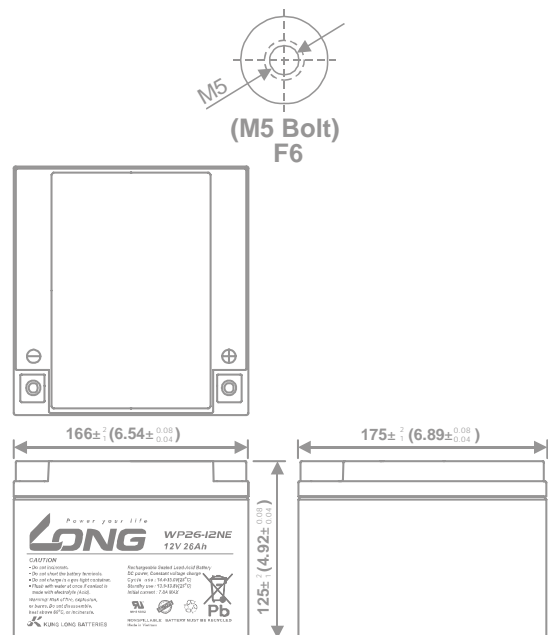
Recommended torque value **M5: 2.94 N-m (30kg-cm)**

Maximum allowable torque value **M5: 4.90 N-m (50kg-cm)**

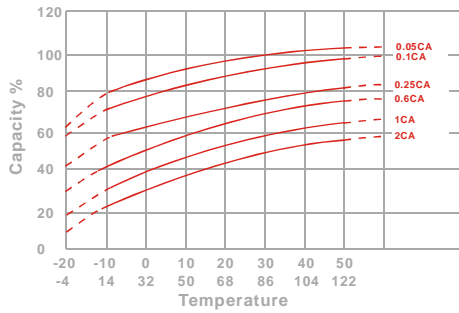


Dimensions

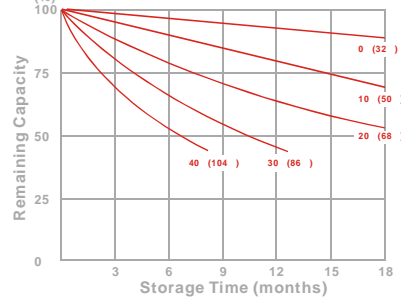
mm(inch)



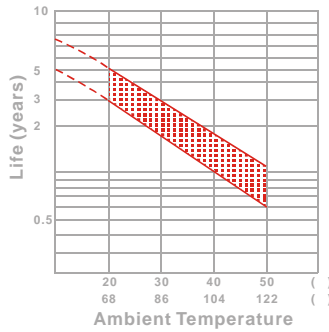
Effect of Temperature on Capacity 25 (77)



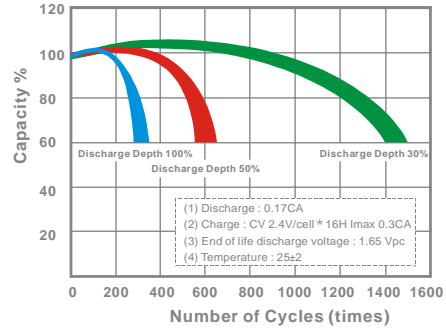
Capacity Retention Characteristic



Trickle (or float) Service Life



Cycle Service Life



- PERFORMANCE DATA

Discharge Rates in Watts to Various End Voltages at 25 (77)

End Voltage		1.85V	1.80V	1.75V	1.70V	1.67V	1.65V	1.60V
Time								
5	min	836	927	994	1065	1098	1128	1196
10	min	617	659	695	727	743	760	788
15	min	443	485	513	536	548	559	579
30	min	238	257	274	286	291	296	302
60	min	169	179	187	193	195	197	199
120	min	110	115	118	121	122	123	124
180	min	75.3	77.5	78.6	79.7	80.2	80.8	81.2
240	min	61.1	62.6	63.4	64.2	64.5	64.9	65.2
300	min	51.6	51.9	52.9	53.7	54.1	54.3	54.6
600	min	30.1	30.9	31.5	31.9	32.1	32.3	32.5
1200	min	15.5	16.0	16.4	16.7	16.8	16.9	17.0

- Discharge Rates in Amperes to Various End Voltages at 25 (77)

End Voltage		1.85V	1.80V	1.75V	1.70V	1.67V	1.65V	1.60V
Time								
5	min	73.8	85.2	94.8	102	105	107	110
10	min	53.9	60.2	63.3	66.2	68.3	70.2	72.6
15	min	38.4	43.8	47.1	49.8	51.5	52.1	53.3
30	min	22.2	24.6	25.9	27.2	27.9	28.4	29.4
60	min	14.9	15.7	16.2	16.6	16.8	17.0	17.2
120	min	9.16	9.43	9.62	9.83	9.92	10.0	10.1
180	min	6.38	6.56	6.65	6.75	6.79	6.84	6.91
240	min	5.21	5.36	5.49	5.60	5.63	5.68	5.74
300	min	4.43	4.54	4.63	4.70	4.72	4.74	4.77
600	min	2.47	2.55	2.62	2.67	2.69	2.72	2.75
1200	min	1.26	1.32	1.37	1.41	1.43	1.44	1.46

All data on the spec. sheet is an average value:

The tolerance range : X<6min(+15%~-15%), 6min X<10min(+12%~-12%), 10min X < 60min(+8%~-8%), X 60min(+5%~-5%)