



# FGC27507

## 12Volt 75Ah

### Specifications

Nominal Voltage(V) 12V

#### Nominal Capacity

10 hour rate	(7.5A to 10.80V)	75Ah
5 hour rate	(12.75A to 10.20V)	63.75Ah
1 hour rate	(45A to 9.60V)	45Ah
1 C	(75A to 9.60V)	47.5Ah

Weight Approx. 24kg(52.8Lbs.)

Internal Resistance (at 1KHz) Approx. 5 mΩ

#### Maximum Discharge Current for

5 seconds: 900A

#### Charging Methods at 25 (77 )

##### Cycle use:

Charging Voltage 14.4 to 15.0V

Coefficient -5.0mv/ /cell

Maximum Charging Current : 22.5A

##### Standby use:

Float Charging Voltage 13.50 to 13.80V

Coefficient -3.0mv/ /cell

#### Operating Temperature Range

Charge -15 (5 ) to 40 (104 )

Discharge -15 (5 ) to 50 (122 )

Storage -15 (5 ) to 40 (104 )

#### Charge Retention (shelf life) at 20 (68 )

1 month 98%

3 month 94%

6 month 85%

Case Material ABS

(UL94 HB flame retardant )

Terminal F16

#### Description of torque value of hard ware for the terminals:

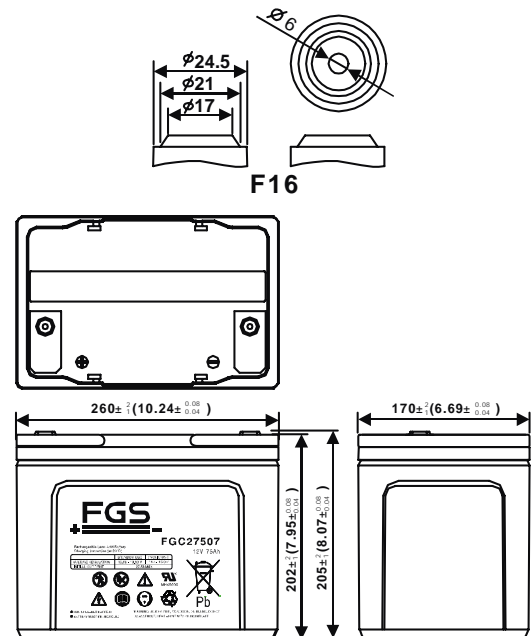
Recommended torque value M6: 5.39 N-m (55kg-cm)

Maximum allowable torque value M6: 8.82 N-m (90kg-cm)

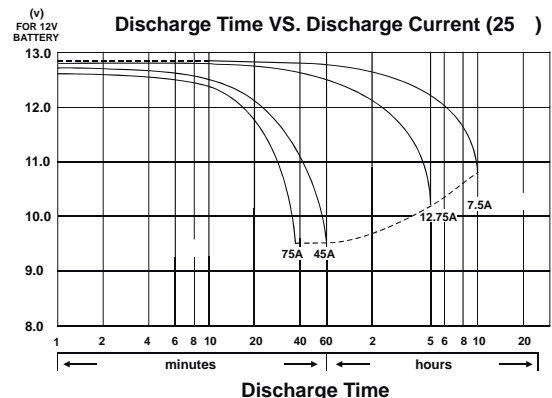


### Dimensions

mm(inch)

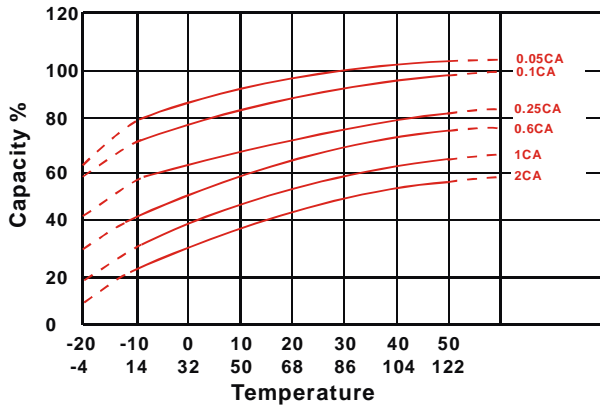


#### Discharge Time VS. Discharge Current (25 )

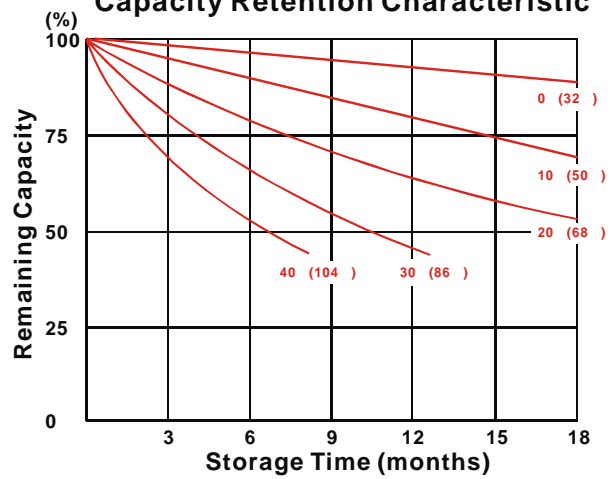




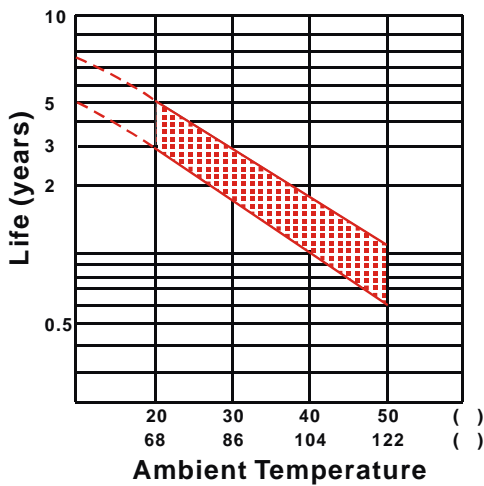
Effect of Temperature on Capacity 25 (77 )



Capacity Retention Characteristic



Trickle (or float) Service Life



Cycle Service Life

